

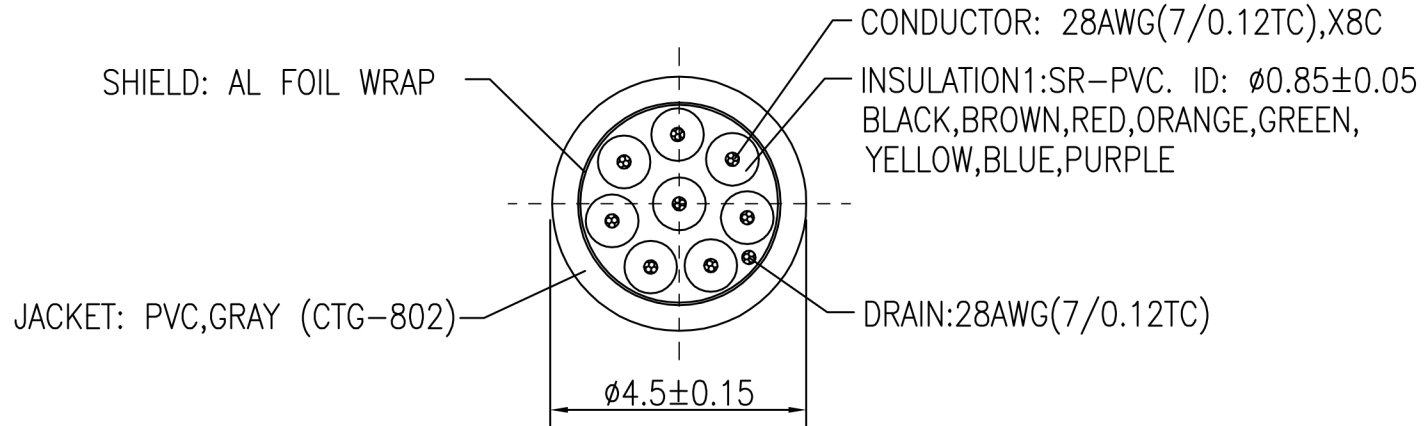
P/N CHART

09569	10FT	3.05M	3050	+152/-51
02315	6FT	1.83M	1830	+152/-51
P/N(xxxxx)	L(****)	L(***)	L(mm)	T(mm)

MANUFACTURED IN CHINA

<input type="checkbox"/> 0
<input checked="" type="checkbox"/> S

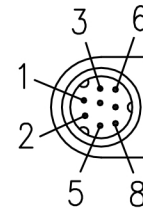
DRAWING APPROVED		Dana York 2017.12.07 15:55:45-05'00'		DATE: _____
SAMPLE APPROVED PER DRAWING SPECIFICATIONS		DATE: _____		
PROPRIETARY & CONFIDENTIAL. THE INFORMATION CONTAINED IN THIS DRAWING IS THE SOLE PROPERTY OF C2G. ANY REPRODUCTION IN PART OR AS A WHOLE WITHOUT THE WRITTEN PERMISSION OF C2G IS PROHIBITED.				
	mm	TITLE	8 Pin Mini-DIN Male/Female Extension Cable	
SCALE	NONE	CUS. NAME		
SHEET	1/5	CUS. P/N		
DIMENSIONAL TOLERANCES UNLESS OTHERWISE NOTED		Part No:	43-148-006	
X ±	=0.5(0.02)	XX ±	=0.10(0.004)	
XXX ±	=0.050(0.002)	ANGLES ±		
REV.	5	CUS. REV.		
		<b>Show Me</b> CABLES an INFINIT® brand		ENG. DATE Cloud 2017-11-22
		APPROVED DATE Sean 2017-11-22		CHECKED DATE



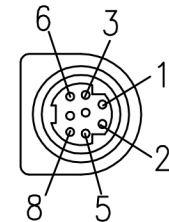
SEC A-A  
SCALE:NTS

PIN OUT

P1	P2	
28AWG 1	1	BLACK
28AWG 2	2	BROWN
28AWG 3	3	RED
28AWG 4	4	ORANGE
28AWG 5	5	YELLOW
28AWG 6	6	GREEN
28AWG 7	7	BLUE
28AWG 8	8	PURPLE
SHELL		SHELL(DRAIN WIRE)



MINI DIN 8P MALE  
FRONT VIEW



MINI DIN 8P FEMALE  
FRONT VIEW

MANUFACTURED IN CHINA

DRAWING APPROVED \_\_\_\_\_ DATE: \_\_\_\_\_

SAMPLE APPROVED PER DRAWING SPECIFICATIONS \_\_\_\_\_ DATE: \_\_\_\_\_

PROPRIETARY & CONFIDENTIAL. THE INFORMATION CONTAINED IN THIS DRAWING IS THE SOLE PROPERTY OF C2G. ANY REPRODUCTION IN PART OR AS A WHOLE WITHOUT THE WRITTEN PERMISSION OF C2G IS PROHIBITED.

$\varnothing$	mm	TITLE
SCALE	NONE	8 Pin Mini-DIN Male/Female Extension Cable
SHEET	2/5	CUS. NAME

DIMENSIONAL TOLERANCES UNLESS OTHERWISE NOTED		CUS. P/N
$.X \pm$ =0.5(0.02)	$.XX \pm$ =0.10(0.004)	Part No: 43-148-006
$.XXX \pm$ =0.050(0.002)	ANGLES $\pm$	
REV. 5	CUS. REV	

**Show Me**  
CABLES

an INFINIT@ brand

ENG. \_\_\_\_\_ DATE 2017-11-22  
CHECKED \_\_\_\_\_ DATE \_\_\_\_\_

APPROVED \_\_\_\_\_ DATE 2017-11-22  
Sean

NOTE:

1. NON UL CABLE: SEE SEC A-A.
2. CONNECTOR: P1: MINI DIN 8PIN MALE: SOLDER TYPE, CONTACTS: BRASS, GOLD FLASH, HOUSING: PBT, BLACK, SHELL: BRASS, NICKEL PLATED.  
P2: MINI DIN 8PIN FEMALE: SOLDER TYPE, CONTACTS: BRASS, GOLD FLASH, HOUSING: PBT, BLACK, SHELL: BRASS, NICKEL PLATED.  
ALL HOOD: MOLDED GRAY (CTG-802) PVC.
3. SHIELDED: AL-FOIL TAPE COVER PREMOLD AND 100% CONTACT WITH CONNECTOR SHELL.
4. PRODUCT IS CE MARKED AND CONFORMS TO 2011/65/EU ROHS 2.
5. TESTING: 100% TEST FOR SHORT/OPEN: 10M OHM INSULATION RESISTANCE (300V DC).
6. PACKING: EACH CABLE IN A C2G ZIP-LOCK POLYBAG. BAR CODE LABEL (WHITE BACKGROUND WITH BLACK LETTERS, SEE "DETAIL A") TO BE PASTED ON ZIP-LOCK POLYBAG.

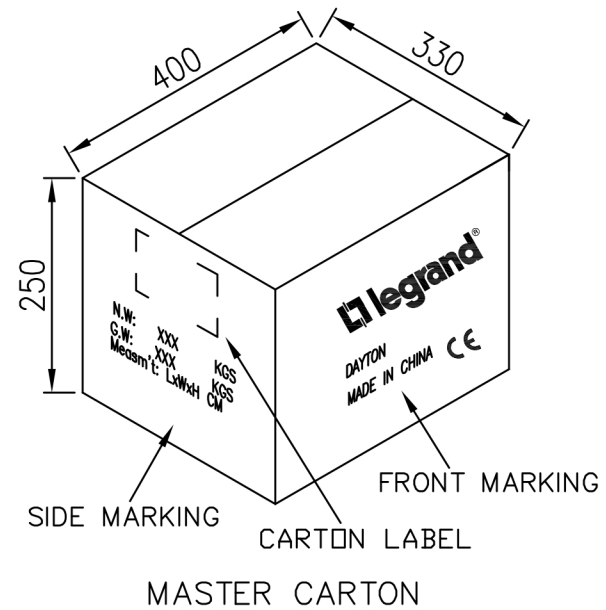
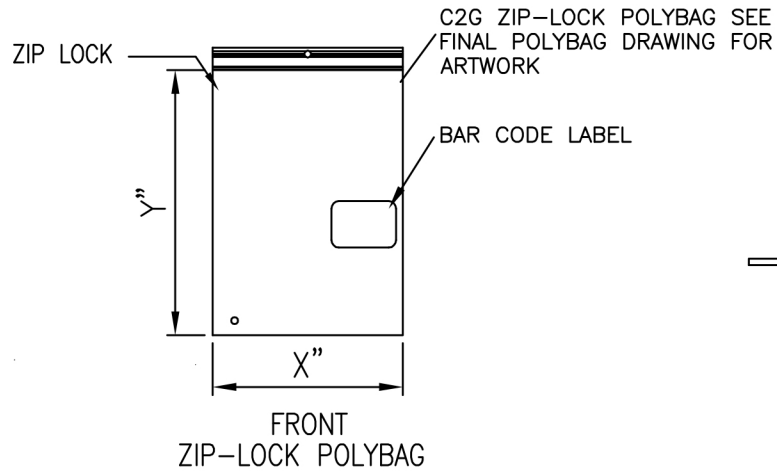


BAR CODE LABEL - DETAIL A  
'XXXXX'=5 DIGIT PART NUMBER  
'\*\*\*\*' & '\*\*\*'=LENGTH  
SEE P/N CHART

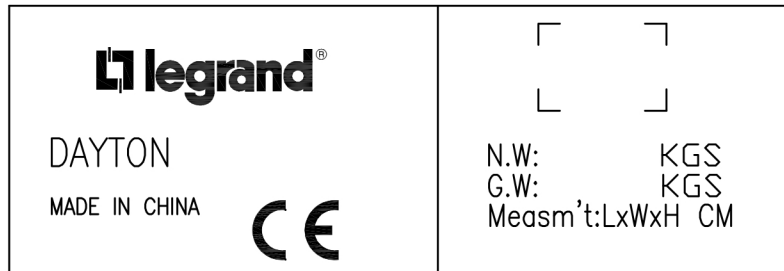
"YY"=YEAR, 11=2011, 10=2010, ...  
"\*"=MONTH, A=JAN, B=FEB, C=MAR, ...

MANUFACTURED IN CHINA

DRAWING APPROVED _____		DATE: _____	
SAMPLE APPROVED PER _____		DATE: _____	
DRAWING SPECIFICATIONS			
PROPRIETARY & CONFIDENTIAL. THE INFORMATION CONTAINED IN THIS DRAWING IS THE SOLE PROPERTY OF C2G. ANY REPRODUCTION IN PART OR AS A WHOLE WITHOUT THE WRITTEN PERMISSION OF C2G IS PROHIBITED.			
	mm	TITLE	8 Pin Mini-DIN Male/Female
SCALE	NONE		Extension Cable
SHEET	3/5	CUS. NAME	
DIMENSIONAL TOLERANCES UNLESS OTHERWISE NOTED		CUS. P/N	
<input type="checkbox"/> 0	X ± =0.5(0.02)	XX ± =0.10(0.004)	
<input checked="" type="checkbox"/> S	XXX ± =0.050(0.002)	ANGLES ±	
REV. 5	CUS. REV	Part No:	43-148-006
		 an INFINIT® brand	
		ENG. DATE	Cloud 2017-11-22
		CHECKED DATE	
		APPROVED DATE	Sean 2017-11-22



CARTON MARKINGS



MANUFACTURED IN CHINA

09569	3048	6	10	100PCS
02315	1829	6	10	150PCS
P/N(xxxxx)	L(mm)	X"	Y"	CARTON QTY

DRAWING APPROVED _____		DATE: _____	
SAMPLE APPROVED PER _____		DRAWING SPECIFICATIONS _____	
DATE: _____		DATE: _____	
<small>PROPRIETARY &amp; CONFIDENTIAL. THE INFORMATION CONTAINED IN THIS DRAWING IS THE SOLE PROPERTY OF C2G. ANY REPRODUCTION IN PART OR AS A WHOLE WITHOUT THE WRITTEN PERMISSION OF C2G IS PROHIBITED.</small>			
	mm	TITLE 8 Pin Mini-DIN Male/Female Extension Cable	
SCALE	NONE	CUS. NAME	
SHEET	4/5	CUS. P/N	
<small>DIMENSIONAL TOLERANCES UNLESS OTHERWISE NOTED</small> X ± =0.5(0.02) XX ± =0.10(0.004) XXX ± =0.050(0.002)		Part No: 43-148-006	
<input type="checkbox"/> O		 an INFINIT® brand	
<input checked="" type="checkbox"/> S	ANGLES ± REV. 5	ENG. DATE Cloud 2017-11-22 CHECKED DATE APPROVED DATE Sean 2017-11-22	



REVISION HISTORY

REV.	PAGE	SECTION	ECO	CHANGE DESCRIPTION	DATE
4	N/A	N/A	20130312	CHANGE THE ZIP-LOCK POLYBAG	03-26-13
5	3/5	C3	20170474	CHANGE THE LABEL	11-22-17

REV.	PAGE	SECTION	ECO	CHANGE DESCRIPTION	DATE

MANUFACTURED IN CHINA

DRAWING APPROVED _____			DATE: _____
SAMPLE APPROVED PER DRAWING SPECIFICATIONS _____			DATE: _____
<small>PROPRIETARY &amp; CONFIDENTIAL. THE INFORMATION CONTAINED IN THIS DRAWING IS THE SOLE PROPERTY OF C2G. ANY REPRODUCTION IN PART OR AS A WHOLE WITHOUT THE WRITTEN PERMISSION OF C2G IS PROHIBITED.</small>			
mm SCALE NONE SHEET 5/5	TITLE 8 Pin Mini-DIN Male/Female Extension Cable CUS. NAME		<p><b>Show Me</b></p> <p><b>CABLES</b></p> <p>an INFINITI® brand</p> <p>ENG. _____ DATE                  Cloud 2017-11-22</p> <p>CHECKED _____ DATE</p> <p>APPROVED _____ DATE                  Sean 2017-11-22</p>
DIMENSIONAL TOLERANCES UNLESS OTHERWISE NOTED .X ± =0.5(0.02') .XX ± =0.10(0.004') .XXX ± =0.050(0.002') ANGLES ±			
<input type="checkbox"/> O <input checked="" type="checkbox"/> S	CUS. P/N  Part No: 43-148-006		
REV. 5 CUS. REV			